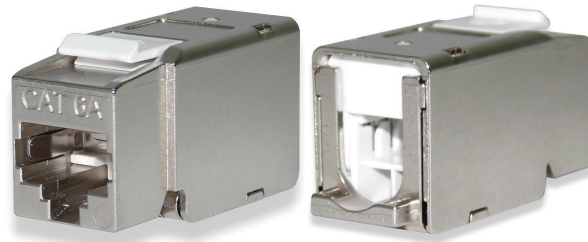


Category 6A Screened Keystone Jacks

Signamax Connectivity Systems category 6A screened keystone jacks are designed to meet 10 Gigabit IEEE 802.3an rev. 1.0 transmission requirements, and are guaranteed to meet or exceed TIA-568-B.2-10 channel performance. Screened keystone jacks with an overall overlap solid shielding design support category 6A 100-meter channel performance.



Category 6A screened keystone jacks are compatible with Signamax keystone faceplates, surface mount boxes, and 24- and 48-port screened snap-in patch panels providing flexibility in field installation and easy connection to the telecommunications bonding and grounding system.

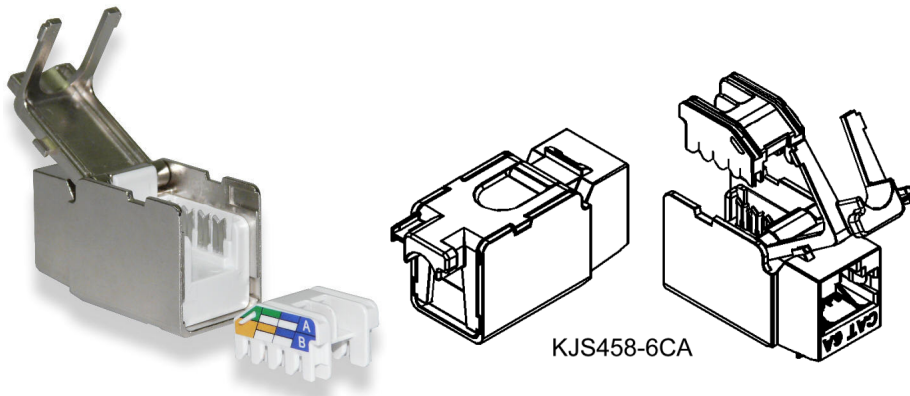
KEY FEATURES

- Designed to meet 10G IEEE 802.3an transmission requirements
- Guaranteed to meet or exceed TIA-568-B.2-10 channel performance
- Compatible with Signamax screened snap-in patch panels
- Contact design provides enhanced plug to jack connection integrity and protects against damage caused by insertion of 4 or 6 position plugs
- 110-type contacts provide improved wire retention and ease of termination
- Support category 6A 100-meter channel performance
- Overall solid shielding design
- Rated for at least 750 plug insertions providing for the highest level of system reliability
- T568A and T568B wiring with an easy to read color-code wiring label for maximum flexibility
- Terminated with tool-less termination cap

ORDERING INFORMATION

Category 6A Screened Keystone Jack

Part Number	Description
KJS458-C6A	Category 6A Screened Keystone Jack, T568A/B Wiring



SPECIFICATIONS

Category 6A Screened Keystone Jacks

SPECIFICATIONS

• **TRANSMISSION PERFORMANCE**

ANSI/TIA-568-B.2-10: Meets or exceeds category 6A (1 – 500 MHz) channel specifications

• **TRANSMISSION MEDIA**

Unscreened or screened twisted pair (UTP/ScTP/FTP/SFTP)

• **JACK TYPE**

8p8c (8-position, 8-contact) "RJ45" type

• **WIRING SCHEME**

ANSI/TIA/EIA-568-B.2: T568A & T568B

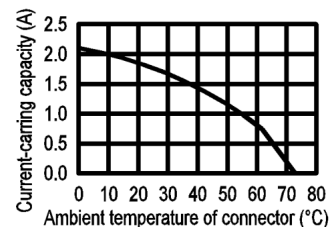
ISO/IEC 11801 2nd Ed.: 8-position pin/pair assignment (1-2/3-6/4-5/7-8)

• **WIRE GAUGE**

22-24 AWG (0.644 – 0.511 mm)

• **ELECTRICAL**

Insulation resistance: min 500 MOhm @ 100 V_{dc}
 Dielectric withstanding voltage: 1,000 V_{dc/ac} peak contact to contact @ 60 Hz for 1 min
 1,500 V_{dc/ac} peak contact to panel @ 60 Hz for 1 min
 Spring wire contact resistance: max 20 Mohm
 IDC contact resistance: max 2.5 MOhm
 Current rating: see figure



• **CONSTRUCTION**

Housing: zinc-alloy fully shielded
 Jack spring wire: phosphor bronze alloy plated with 50 µin of gold over 70–100 µin of nickel
 IDC: 110 type, phosphor bronze alloy with 100 µin 100% tin alloy

• **MECHANICAL**

Total contact force: min 800 g for 8 wire leads
 Retention: 50 N (11 lbf) for 60±5 s
 Mating cycle life: min 750 cycles

• **FOOTPRINT**

Standard keystone footprint

• **MOUNTING DIMENSIONS**

D 41.8 mm H 19.3 mm W 17.0 mm
 D 1.65 in H 0.76 in W 0.67 in

• **ENVIRONMENTAL CONDITIONS**

Storage: -40°C – +70°C (-40°F – +158°F)
 Operation: -10°C – +60°C (+14°F – +140°F)
 RH (operation): max non-condensing 93%

• **COMPLIANCE**

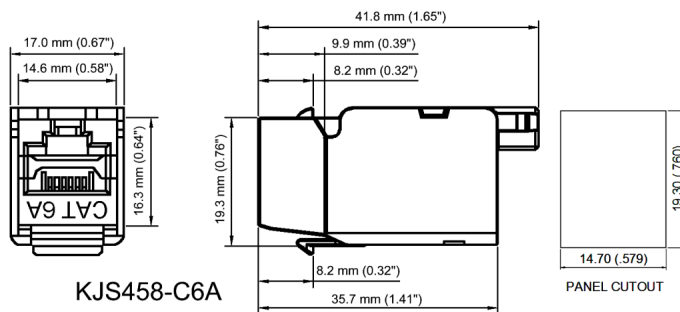
ANSI/TIA-568-B.2-10, IEE 802.3 ab, FCC Part 68 Subpart F, UL 94V-0, IEC 60603-7

• **APPLICATIONS**

X.21, V.11, S0, ISDN, CSMA/CD 10BASE-T, 100BASE-TX, 100BASE-T4, 100BASE-T2, 1000BASE-T, 10GBASE-T, TR 4/16/100, 100BASE-VG, ATM LAN 25/51/155, TP-PMD

• **WARRANTY**

5-year limited component warranty
 10-year Signamax Link/Channel Warranty
 15-year Signamax Extended Component Warranty
 25-year Signamax Cabling System Warranty



RELATED PRODUCTS

Product/Product Group	Spec Sheet #
Category 6A SL Unscreened Patch Panel _____	PSS.C6ASL-UTP-PP (A-OCT-08)
Category 6A SL Screened Patch Panel _____	PSS.C6ASL-FTP-PP (A-OCT-08)
Category 6A SL Unscreened Keystone Jacks _____	PSS.C6ASL-UTP-KJ (A-OCT-08)
Category 6A SL Unscreened Patch Cords _____	PSS.C6ASL-UTP-PC (A-OCT-08)
Category 6A SL Screened Patch Cords _____	PSS.C6ASL-FTP-PC (A-OCT-08)

SPECIFICATIONS